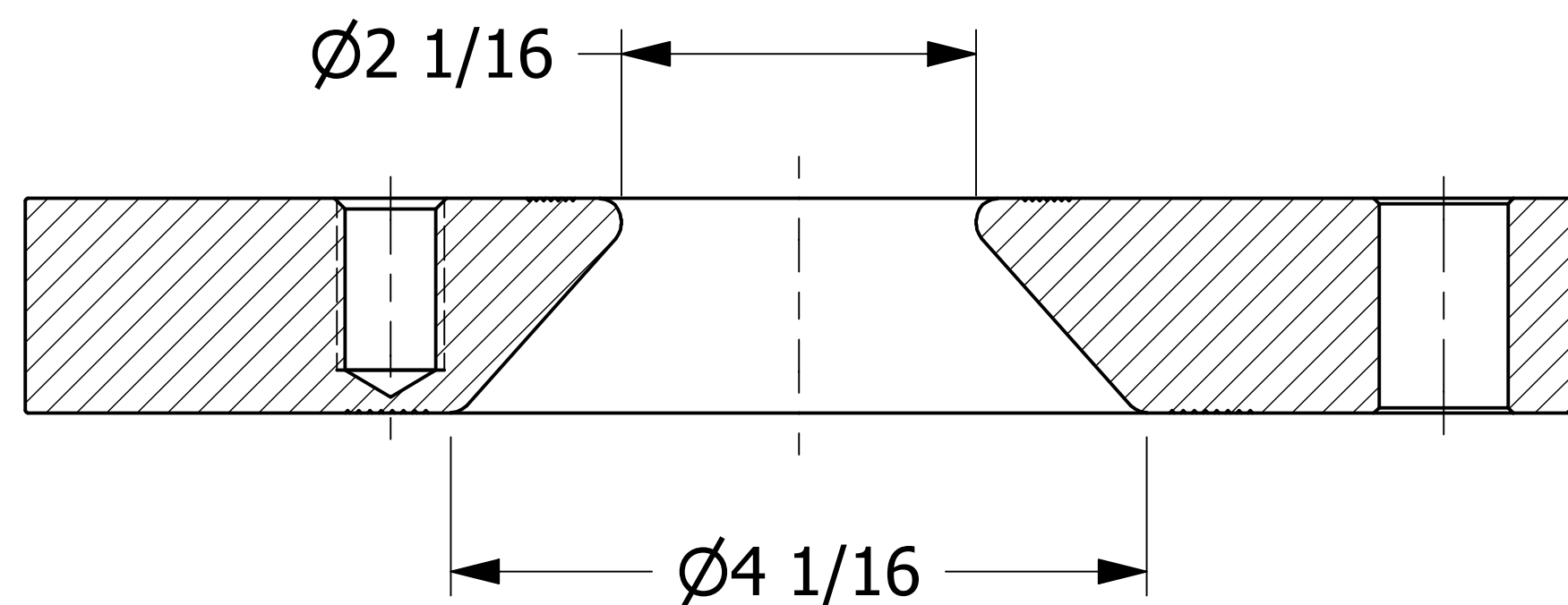
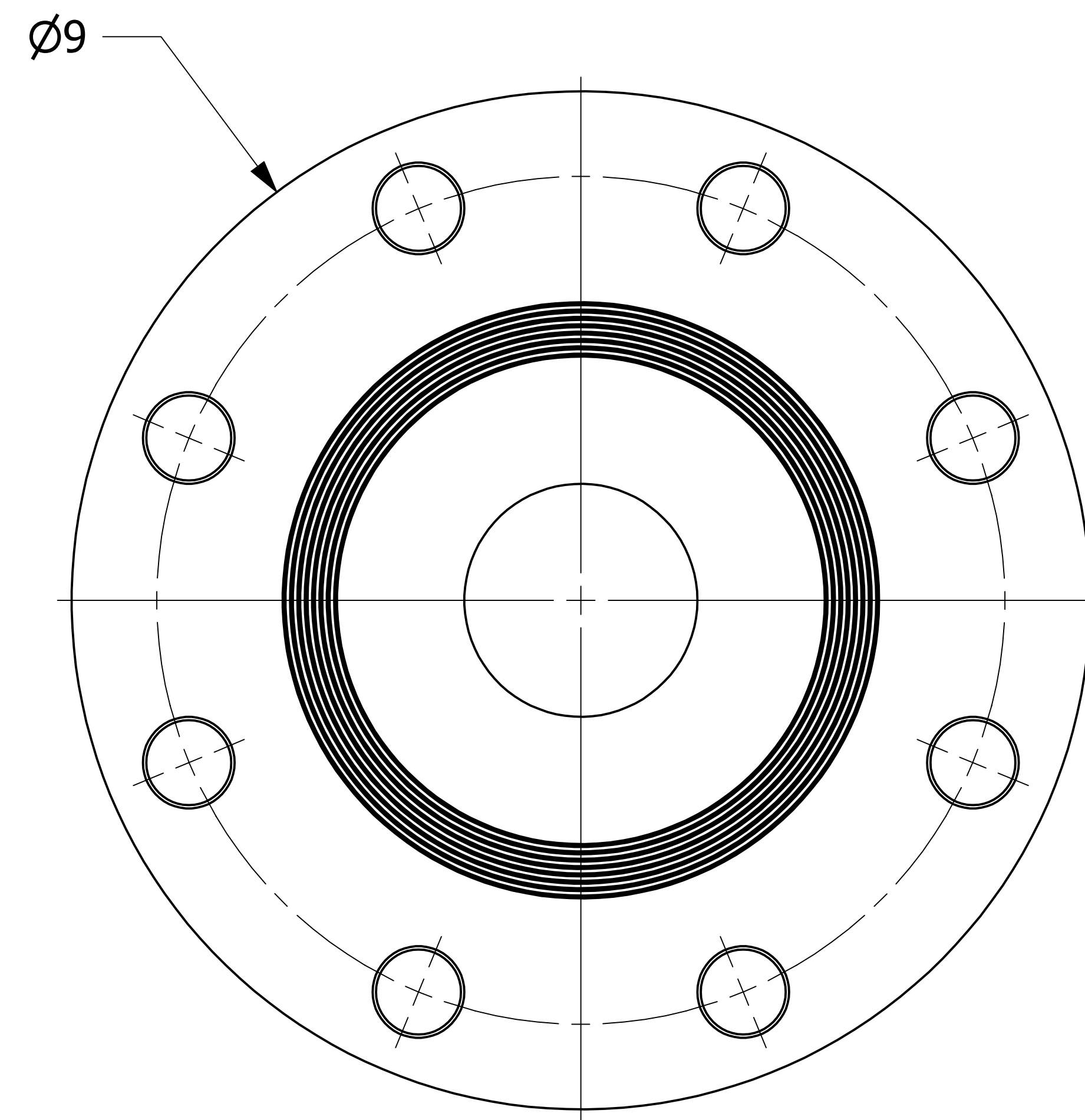
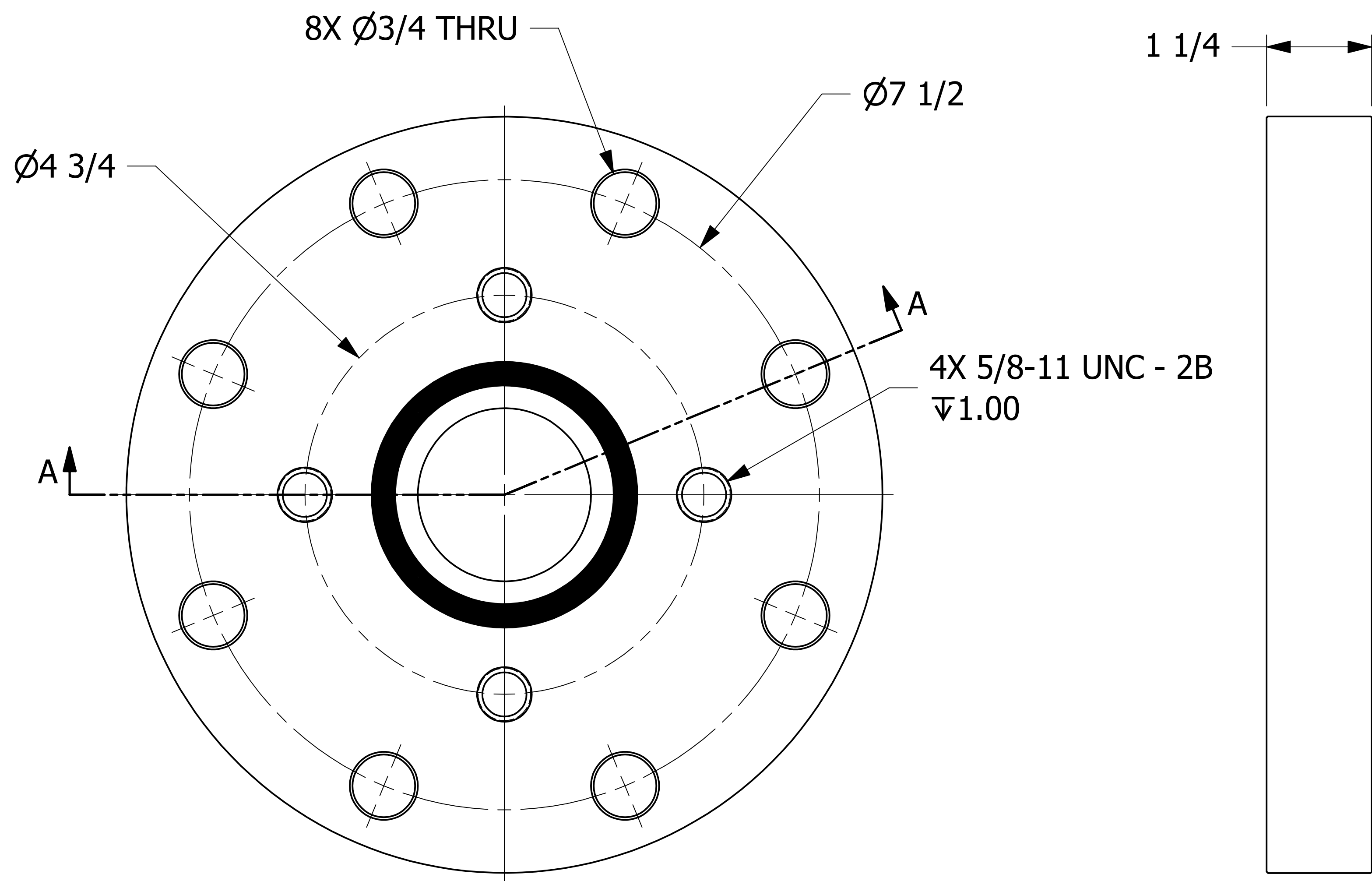


SALES DRAWING

SALES DRAWING



SECTION A-A
SCALE 1 : 1

UNLESS OTHERWISE SPECIFIED DIMENSIONAL TOLERANCES FRACTIONAL: $\pm 1/16$ X.XX: $\pm .03$ X.XXX: $\pm .015$ ANGULAR: $\pm 1^\circ$ DEBURR ALL SHARP EDGES. ALL MACHINED SURFACES TO HAVE A 125 RMS FINISH UNLESS NOTED OTHERWISE. THIRD ANGLE PROJECTION	DRAWN BY:	JJK
	CHECKED BY:	CHL
	PROTOTYPE BY:	JJK
	PROTOTYPE DATE:	12/13/2012
	APPROVED FOR PRODUCTION BY:	BG
	PRODUCTION DATE:	2/19/2013

A	BG	2-19-13	DRAWING RELEASED FOR PRODUCTION	
REV	BY	DATE	DESCRIPTION	
PART NAME: REDUCING FLANGE 4"X2"				
MATERIAL: CARBON STEEL A36				
PROJECT #: 121129		SHEET #: 1 OF 1		SCALE: 1:1
DRAWING #: D34826		PART #: HSRF42CS		

THIS PRINT, PROPERTY OF SALCO PRODUCTS INC. CONTAINS PROPRIETARY INFORMATION AND MUST NOT BE COPIED, REPRODUCED, OR USED DETRIMENTALLY TO OUR INTEREST.